

de Installationsanleitung

es Instrucciones de montaje

el Οδηγίες Εγκατάστασης

en Installation Instructions

pt Instruções de montagem

sk Návod na montáž

fr Instructions d'installation

sv Installationsanvisning

cs Montážní list

it Istruzioni di montaggio

fi Asennusohje

pl Instrukcja montażu

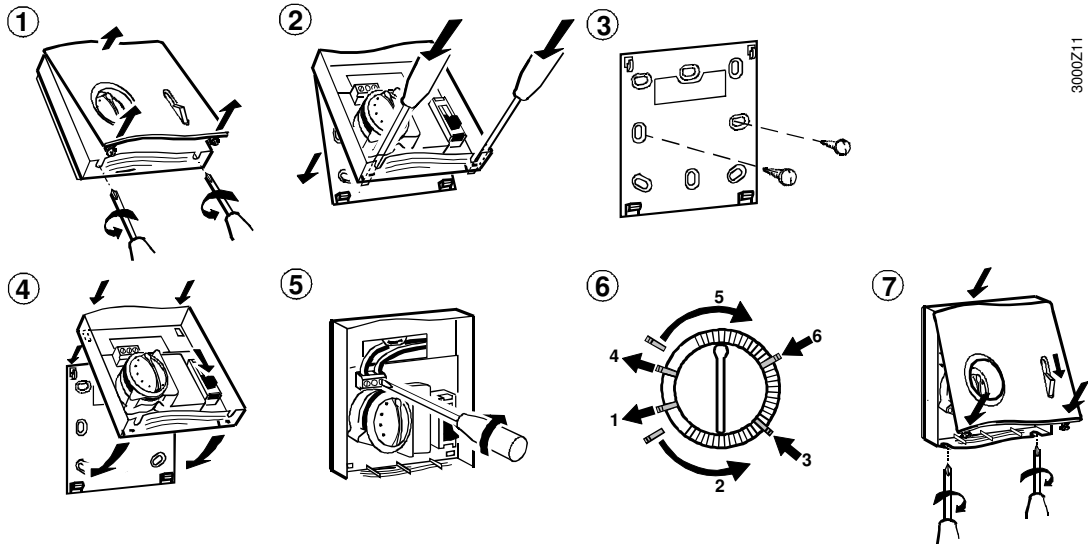
nl Installatie-aanwijzing

da Installationsvejledning

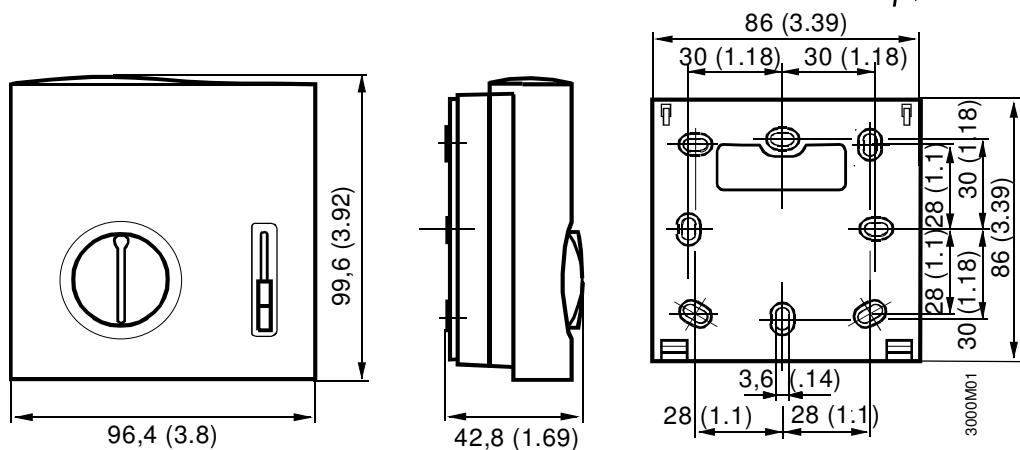
hu Telepítési leírás

zh 安装说明书

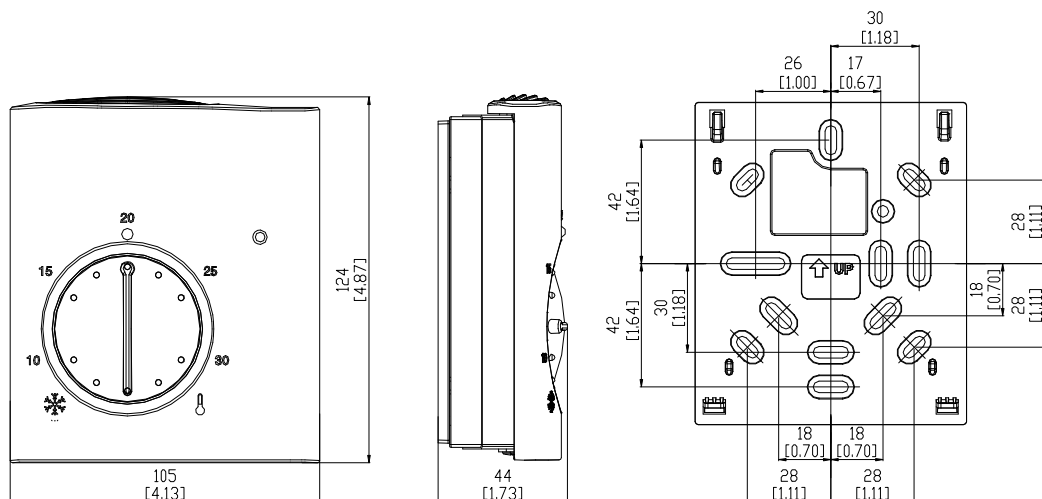
RAA... QAA...



3000Z11

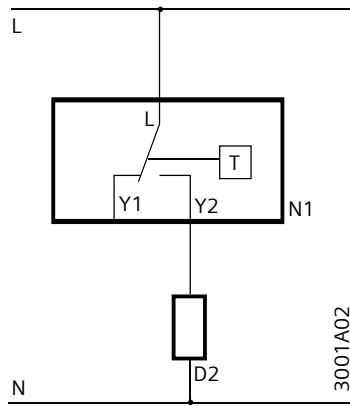
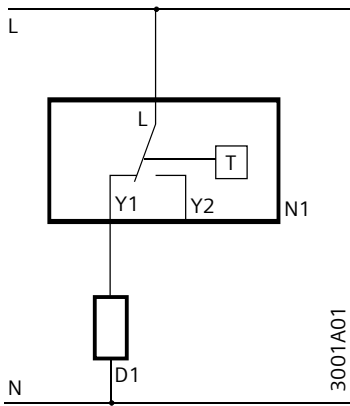


RAA20LD
RAA200



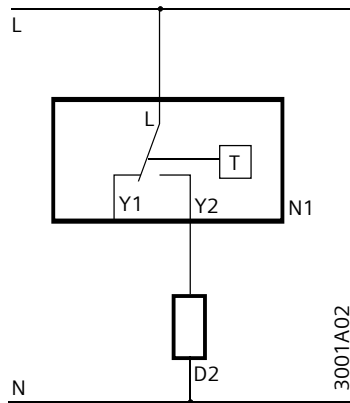
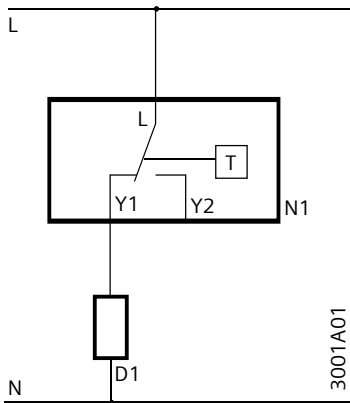
Dimensions in mm (inches)

RAA10



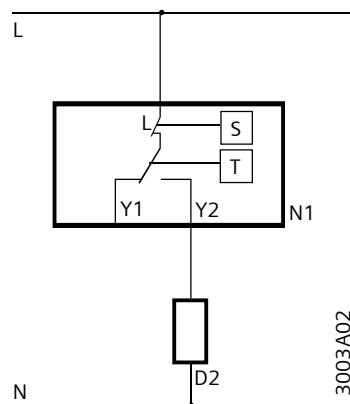
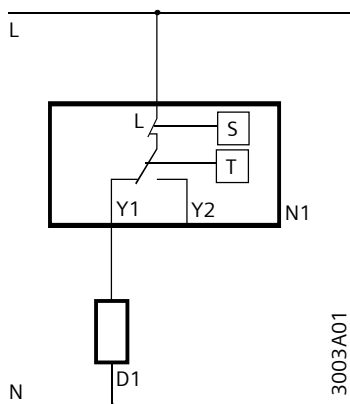
- D1 Zone valve or thermal valve for heating
- D2 Zone valve or thermal valve for cooling
- L Switching voltage AC 24...250V
- N1 Room thermostat
- Y1 Control output "Heating", AC 24...250V
- Y2 Control output "Cooling", AC 24...250V
- N Neutral
- T Thermostat element (gas-filled diaphragm)

RAA20, RAA20LD, RAA200



- D1 Zone valve or thermal valve for heating
- D2 Zone valve or thermal valve for cooling
- L Switching voltage AC 24...250V
- N1 Room thermostat
- Y1 Control output "Heating", AC 24...250V
- Y2 Control output "Cooling", AC 24...250V
- N Neutral
- T Thermostat element (gas-filled diaphragm)

RAA30

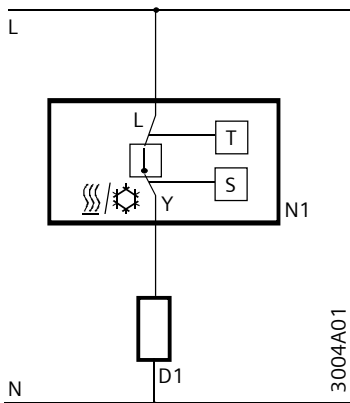


- D1 Zone valve or thermal valve for heating
- D2 Zone valve or thermal valve for cooling
- L Switching voltage AC 24...250V
- N1 Room thermostat
- S ON/OFF switch
- Y1 Control output "Heating", AC 24...250V
- Y2 Control output "Cooling", AC 24...250V
- N Neutral
- T Thermostat element (gas-filled diaphragm)

RAA30 - Heating mode

RAA30 - Cooling mode

RAA40



- D1 Zone valve or thermal valve for heating
- L Switching voltage AC 24...250V
- N1 Room thermostat
- S Selector for Heating / OFF / Cooling
- Y Control output "Heating", AC 24...250V
- T Thermostat element (gas-filled diaphragm)