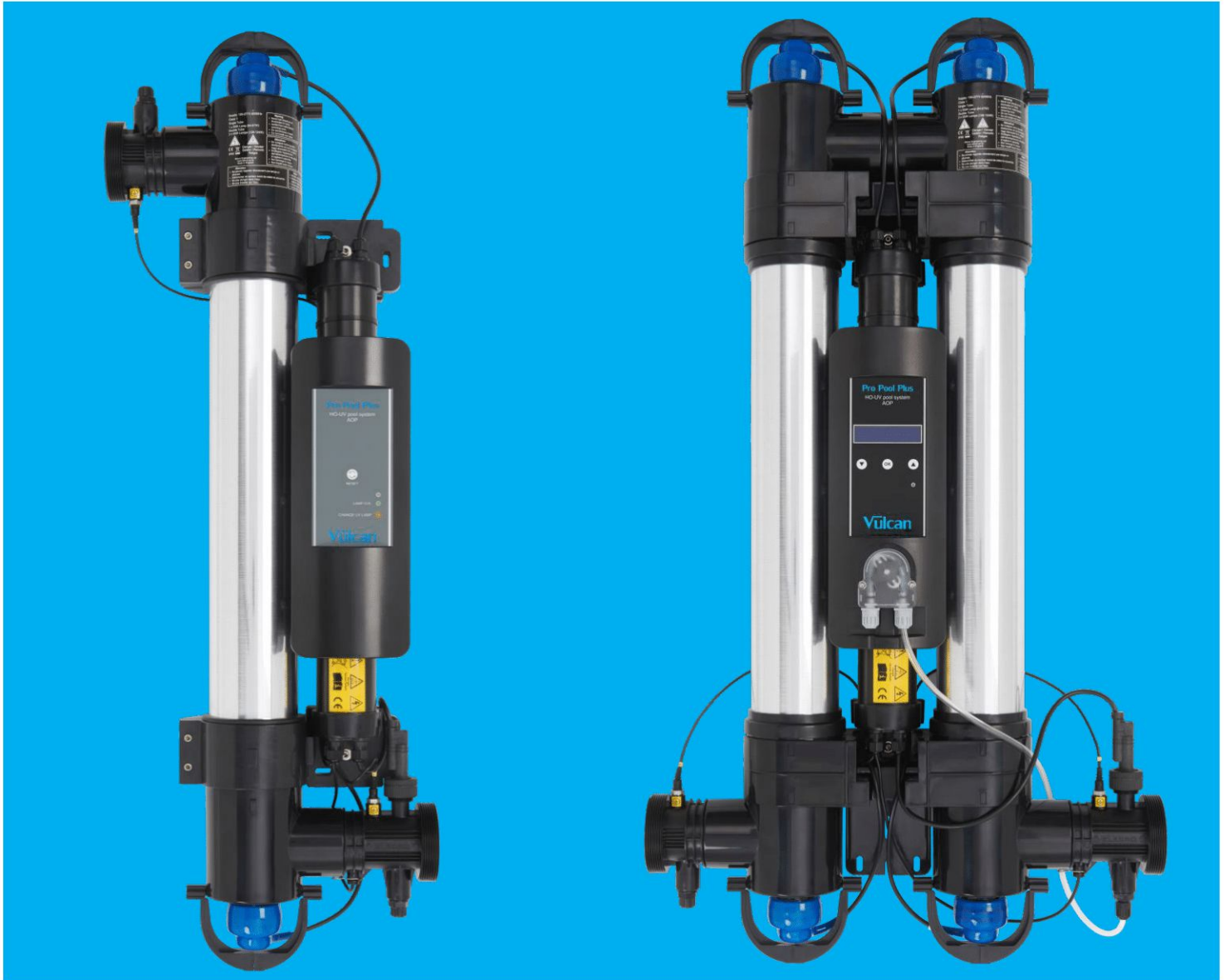


Vulcan

Pro pool SPARE PART LISTS



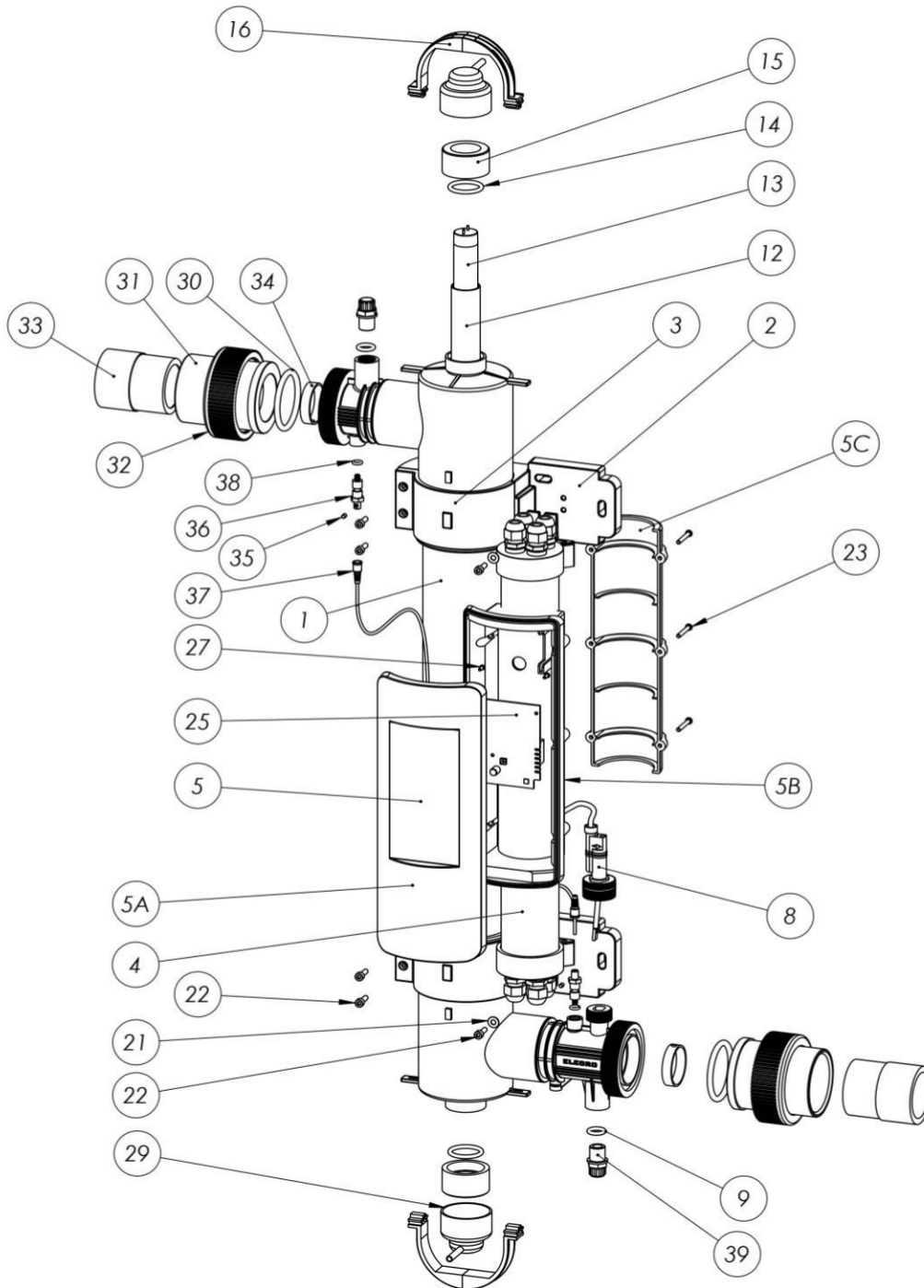
Vulcan

11 Gunnels Wood Park, Gunnels Wood Road
Stevenage, Hertfordshire, SG1 2BH, UK
Tel: +44 1438 749 474 sales@elecro.co.uk

WE RESERVE THE RIGHT TO CHANGE ALL OR PART OF THE FEATURES OF THE ARTICLES OR CONTENTS OF THIS DOCUMENT, WITHOUT PRIOR NOTICE.

NOUS NOUS RÉSERVONS LE DROIT DE MODIFIER EN TOUT OU EN PARTIE LES CARACTÉRISTIQUES DE NOS ARTICLES OU LE

55W Single Tube Without Dosing Pump



Item No.:	Description	Pcs/Unit V-PP2-55	Pcs/Unit V-PP2-110	Elecro Part		GBP RRP (£)		EUR RRP (€)	
				Number V- PP2-55	Number V-PP2- 110	V-PP2-55	V-PP2-110	V-PP2-55	V-PP2-110
1	ProPool Replacement Body Assembly (With Titanium reflector and T-Piece)	1	1	SP-UV-B-PPP-FS-55	SP-UV-B-PPP-FS-110	190.00	350.00	212.80	392.00
2	Rear Mounting Bracket	2	-	Z-IM-UV-ST-RB	-	11.00	-	12.32	-
3	Front Mounting Bracket	2	-	Z-IM-UV-ST-FB	-	5.00	-	5.60	-
4	ProPool Ballast Assembly	1	1	SP-UV-CG-QSH-55-UK (UK Plug)	SP-UV-CG-QSH-110-UK (UK Plug)	158.50	200.00	177.52	224.00
				SP-UV-CG-QSH-55-EU (EURO Plug)	SP-UV-CG-QSH-110-EU (EURO Plug)				
5	Analogue PP2 Control Enclosure (Complete with items: 5A, 5B, 5C, 25 & 27)	1	1	SP-UV-PP2-ENC		85.00		95.20	
5A	Analogue PP2 Front Cover including overlay	1	1	SP-UV-PP2-FC		85.00		95.20	
5B	Rear Enclosure	1	1	Z-IM-UV-ENC		11.50		12.88	
5C	Enclosure Clamp	1	1	Z-IM-UV-CLAMP		4.50		5.04	
8	Flow Switch	1	1	SP-107-UV-B		38.75		43.40	
9	Blanking Cap O-Ring Seal	2	2	Z-ORS-SR-PC-S		1.25		1.40	
12	Quartz Sleeve	1	2	SP-UV-QS		39.25		43.96	
13	Replacement UV Lamp	1	2	SP-UV-LAMP-EL		47.75		53.48	
14	Quartz Sleeve O-Ring Seal	2	4	SP-UV-ORS		1.20		1.34	
15	Quartz Sleeve Locking Nut	2	4	SP-UV-LNUT		7.15		8.01	
16	Lamp Holder / Restraint (2 halves + Screw)	2	4	SP-UV-LCR-S		6.75		7.56	
21	M5 Flat Form C Washer A2	2	2	Z-FIX-M5FCW		5.25		5.88	
22	Ballast Fixing Screw	2	2	Z-FIX-M4.8X19STS-SC	Z-FIX-M5X16BH	5.50	5.25	6.16	5.88
23	M4 x 40-mm Enclosure Fixing	6	6	Z-FIX-M4x40		1.50		1.68	
25	HR-UVC Maintenance Timer PCB	1	1	SP-UV-HR-PCB		66.50		74.48	
27	M3 x 8mm PCB Fixing	3	3	Z-FIX-M3X8-BLK		1.50		1.68	
29	Lamp Lead Connection	2	4	SP-UV-LLL-S		17.50		19.60	
30	Large Union O-Ring Seal	2	2	Z-ORS-UNI-L		4.25		4.76	
31	Union Socket 2" / 63mm	2	2	Z-IM-UNI-2"/63		6.00		6.72	
32	Union Nut	2	2	Z-IM-UNI-NUT		4.00		4.48	
33	Union Reducer 1½" / 50mm	2	2	Z-IM-UV-R		4.50		5.04	
34	10mm / 44.5mm OD Stainless Steel Ring	2	2	Z-TUB-SS44.5X10		8.50		9.52	
35	M4x4mm S/S Grub Screw	2	2	Z-FIX-M4X4GS		1.50		1.68	
36	Current Collector Pin (316 S/S)	2	2	Z-UV-CC-PIN		14.50		16.24	
37	UV Current Collector Rubber Boot	2	2	Z-UV-CC-RB		4.50		5.04	
38	UV Current Collector 'O' Ring	2	2	Z-ORS-UV-CC		2.50		2.80	
39	UV Blanking Plug	2	2	Z-IM-UV-BP		3.50		0.00	